



Light Commercial Rooftop Units

Education applications



Less to install. Less to maintain.
Less to operate.



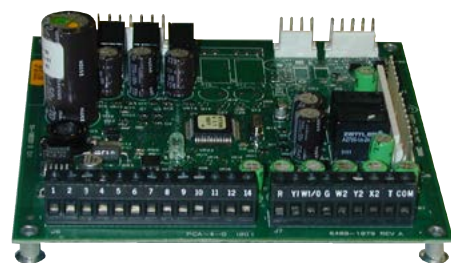
Our light commercial rooftop units offer more and cost you less.

When deciding which rooftop unit is best for your building, remember that the initial purchase is only part of the equation.

You'll save in every aspect of your budget when you choose Trane.

The superior engineering of our Precedent™ and Voyager™ Light Commercial rooftop units delivers high reliability, easier installation, less maintenance, reduced operating costs and less upfront expense.

In short, a lower total cost of ownership.



ReliaTel™ microprocessor controls are available on 3- to 25-ton units.

Easy on your budget

Trane Precedent and Voyager Light Commercial units offer superior engineering while delivering high efficiency air conditioning for new construction as well as replacement installations and retrofits. Unit efficiency surpasses EER minimum by 12%.

Precedent high-efficiency rooftop units are 15% more efficient than typical packaged equipment. Energy efficiency can be increased by adding Trane controls, installation, maintenance and Service Level Agreements.

Trane offers:

- Lower supply fan energy costs—a savings of 7-10%—when the unit operates in continuous fan operation mode.
- Three stages of cooling on high efficiency, dual-compressor units for more precise temperature control, helping save money all year.
- Industry-leading IEER, helping to stretch an energy budget and provide quicker payback on investment.

Easy to install

These compact rooftop units fit into the same roofcurb as current models, reducing installation time and costs. Preconfigured units come with factory-installed options

to eliminate expensive and time-consuming accessory field installations.

Easy on the roof

Models within the Precedent and Voyager Light Commercial lines are as much as 46% lighter than comparable units.

Easy to maintain

Trane Precedent and Voyager Light Commercial rooftop units offer easy access to filters, compressors and controls through single-side access doors.

- No belts. Precedent high efficiency units feature direct-drive fan motors, reducing maintenance requirements and costs.
- Test mode operation can indicate where potential problems exist, reducing overall service cost.
- Unit designed for easy coil cleaning to eliminate maintenance time, thereby increasing unit efficiency.

Improved indoor air quality

MERV 13 high efficiency filtration option reduces the amount of particles in the air and provides better air quality.

- CO₂ controls available to bring in more outside air when occupancy levels are high.
- Hot gas reheat available for humidity control.
- Cleanable dual sloped drain pans to reduce microbial growth.

Quiet operation

Select models of Precedent Light Commercial units include an ultra quiet plenum fan, which enables them to meet or exceed rigorous requirements for acoustic standards compliance.

Because of the plenum fan and other sound mitigating design techniques—along with software modeling tools such as the Trane Acoustics Program—these units can provide a cost effective solution for your building and help deliver a quieter environment.



Right for schools

Designed primarily for classroom use, the Precedent line offers models in the 3- to 10-ton range, while the Voyager Light Commercial line features rooftop units from 12½ to 25 tons—perfect for lunchrooms, gymnasiums and auditoriums.

Trane Precedent and Voyager Light Commercial rooftop units provide quieter operation and can be configured to comply with rigorous acoustic standards. Studies show when noise levels are reduced, test scores improve.

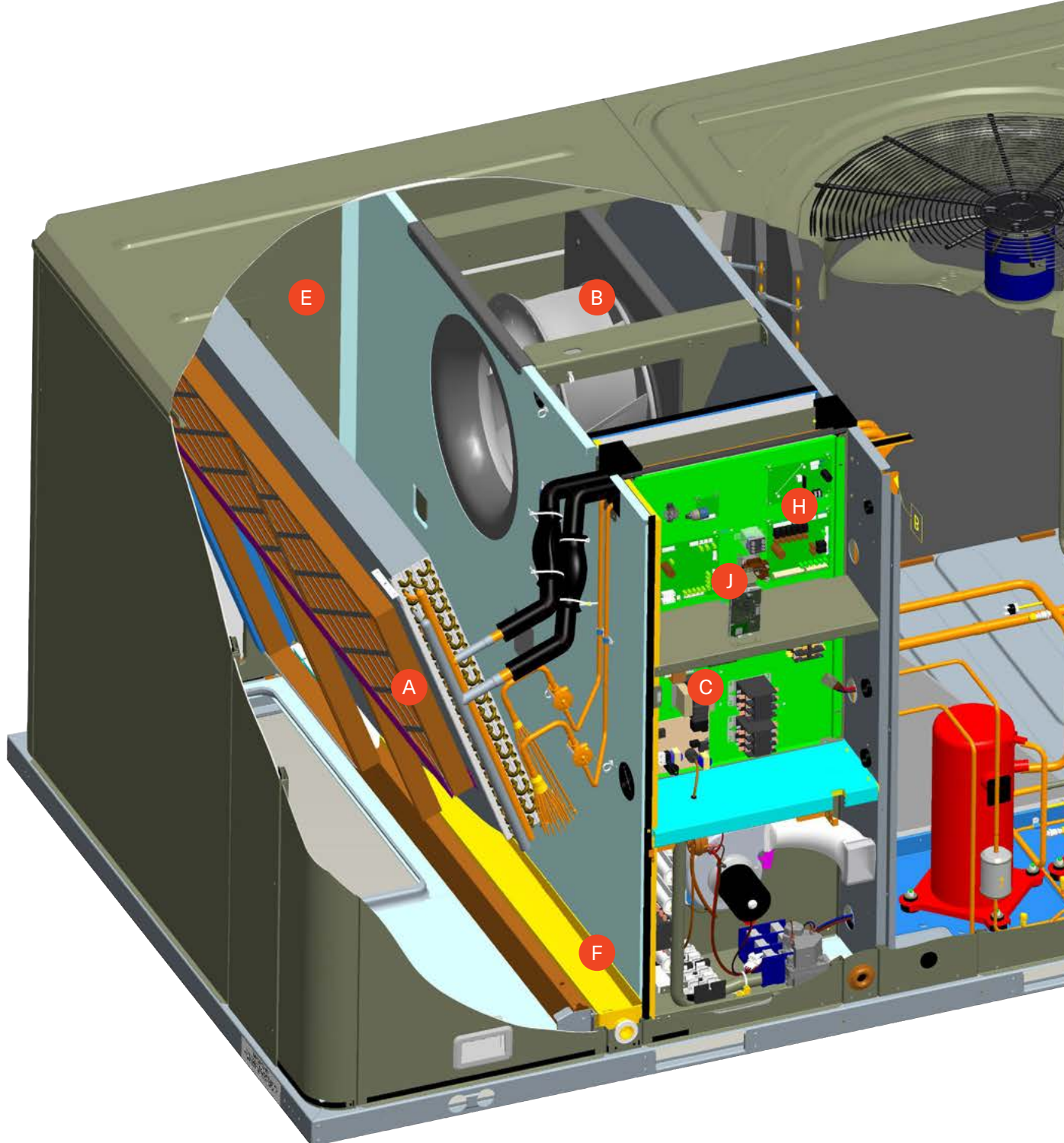
And because of advanced filtration technology, both lines deliver improved indoor air quality. A healthier learning environment helps reduce absenteeism and improve teacher retention.

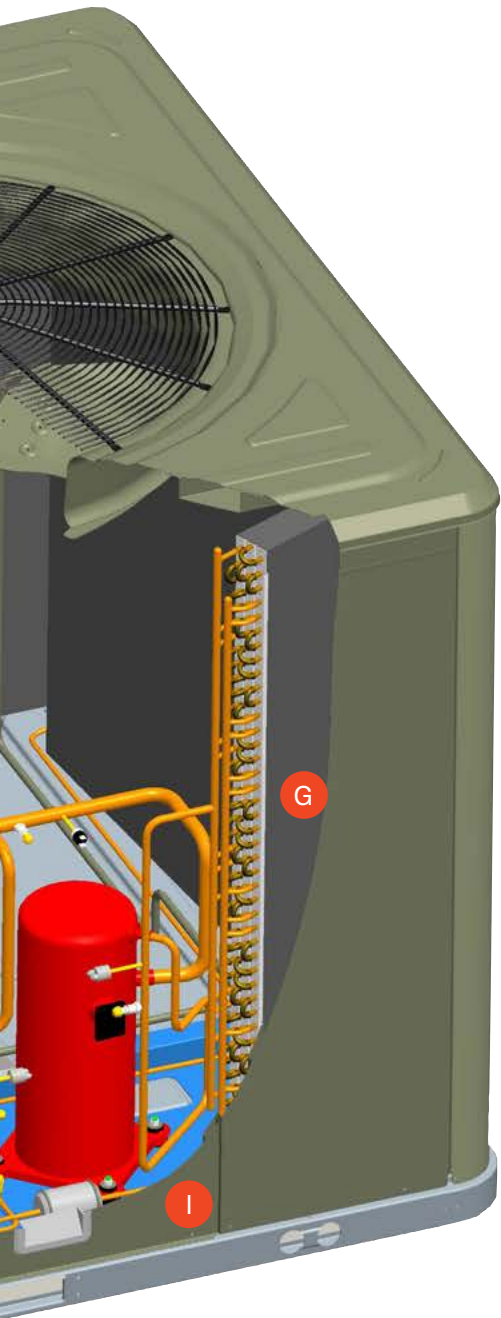


Light Commercial Rooftop Unit

Precedent™ (3 - 10 Ton)

Voyager™ (12.5 - 25 Ton)





Lower Cost of Ownership

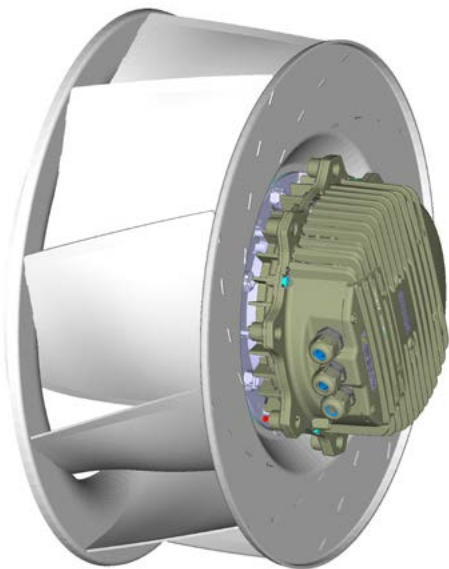
- A MERV 13 Filter**
High efficiency filtration allows for delivering improved indoor air quality—a key qualifying component for LEED EQ credit 5.
- B Direct-Drive Plenum Fan***
Potential to achieve quieter operating environment. High efficiency, direct-drive fan allows for ease of service and overall lower cost of ownership. Easier start-up time in reducing overall time on the jobsite. No belts means less waste.
- C Phase Monitor**
Protects unit from phase reversal, loss of phase and voltage imbalance.
- D Three Stages of Cooling****
Enhanced comfort through matching cooling load, savings. Allows for increased part load efficiency.

More Efficient Servicing

- E Foil-Faced Insulation**
Edges captured and sealed, reducing chance for insulation fibers in the airstream. Easy to clean.
- F Drain Pan**
Non-corrosive, double sloped, reversible condensate drain pan is easy to clean and easy to install.
- G Condenser Coil**
Patent-pending multi-row condenser coil designed with gaps for easy cleaning.
- H Color-Coded**
Numbered Wiring Saves time and money when servicing and diagnosing the unit.
- I Hinged Access Doors**
Permit easy entry to the unit's service access areas. Also reduces opportunity for roof damage.
- J ReliaTel**
Microprocessor Controls Onboard diagnostics allows for easy startup and trouble shooting.

*Standard on all dual compressor, high efficiency Precedent Units

** Standard on all dual-compressor, high efficiency units



The Plenum Fan: Key to a Quieter Classroom

A standard feature on our dual-compressor, high efficiency Precedent units, the plenum fan offers the quiet, unobtrusive operation you need for an effective learning environment, as well as reduced maintenance costs.

- Backward incline blade design performs at a whisper, allowing for a more efficient indoor sound mitigation plan.
- Fewer blades to clean and maintain.

High efficiency, variable-speed indoor fan motor:

- Requires less power, reducing energy costs.
- Direct-drive motor eliminates maintenance associated with belt replacement and tensioning.

Specifications

Product Offering	Nominal Size	Model (MBH)	Cooling Data		Heating Data			Physical Data	
			Capacity	SEER/EER	Low	Mid	High	L x W x H (in.)	Shipping Weight (lbs.)
Precedent™	3	T/YSC036E	37.2	13 SEER	60	80	120	69½ x 44¼ x 36¼	514
	4	T/YSC048E	49.4	13 SEER	60	80	120	69½ x 44¼ x 36¼	525
	5	T/YSC060E	62.4	13 SEER	60	80	120	69½ x 44¼ x 36¼	682
	6	T/YSC072E	75	11.2	60	80	120	88½ x 53¼ x 40½	936
	7.5	T/YSC090E	90	11.2	80	120	150	88½ x 53¼ x 46½	988
	7.5	T/YSC092E	94	11.2	120	150	200	88½ x 53¼ x 46½	1059
	8.5	T/YSC102E	102.1	11.2	120	150	200	88½ x 53¼ x 46½	1096
	10	T/YSC120E	118	11.2	150	200	250	88½ x 53¼ x 46½	1173
Voyager™	12.5	T/YC*150E	158	11	--	150	250	107½ x 71½ x 50½	1952
	15	T/YC*180E	189	11	--	250	350	122½ x 85½ x 54	2474
	17.5	T/YC*210E	212	11	--	250	350	122½ x 85½ x 54	2573
	20	T/YC*240E	250	10.2	--	250	400	122½ x 85½ x 54	2575
	25	T/YC*300E	282	10	--	250	400	122½ x 85½ x 54	2583
Precedent™	3	T/YHC036E	38	15 SEER	60	80	120	69½ x 44¼ x 36¼	637
	4	T/YHC048E	49	15 SEER	60	80	120	88½ x 53¼ x 40½	869
	5	T/YHC060E	62	15 SEER	60	80	130	88½ x 53¼ x 40½	984
	6	T/YHC072E	68	12.6	80	80	150	88½ x 53¼ x 46½	997
	7.5	T/YHC092E	89	13	120	150	200	99¼ x 63¼ x 50½	1334
	8.5	T/YHC102E	98.2	13	120	150	200	99¼ x 63¼ x 50½	1359
	10.5	T/YHC120E	119	12.5	150	200	250	99¼ x 63¼ x 50½	1369
Voyager™	12.5	T/YC*151E	149	12	--	150	200	122½ x 85½ x 54	2610
	15	T/YC*181E	181	12	--	250	350	122½ x 85½ x 54	2613
	17.5	T/YC*211E	215	12	--	250	350	122½ x 85½ x 64½	2677
	20	T/YC*241E	264	11	--	250	400	122½ x 85½ x 64½	2680
	25	T/YC*301E	285	11	--	250	400	122½ x 85½ x 64½	2684

Industry-leading efficiencies up to 13 EER

Give your students—and your managers—a clear view of your school's energy use.

A valuable addition to your rooftop unit, the Trane Education Green Dashboard provides a real-time, browser-based view of your rooftop unit's energy use. The dashboard—a pre-engineered, integrated solution for Tracer Summit building control units— includes two versions: an interface designed for teaching kids about energy, and another that provides technical data and tools for facility staff to help you better manage energy in your school.

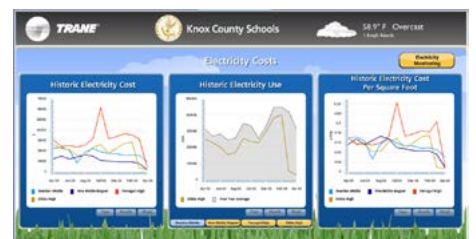
For students in grades 4-10:

- Provides an interactive classroom learning experience and teaches students about smarter energy use
- Supports LEED ID Credit 3: "Building as a Teaching Tool"
- Includes an Energy Audit Game and lab, inter-school energy savings competitions, and calculators to measure dollar savings from various energy conservation measures
- Includes full curriculum guide for both teachers and students



For facility staff:

- Helps you monitor energy use by providing real-time and historical information for your school and others in your district
- Provides cost-per-square-foot data
- Tracks usage with costs, giving you a detailed understanding of how energy usage affects your budget
- Includes calculators for determining savings from high efficiency lighting, use of solar energy, various thermostat savings and more



Keep your rooftop unit performing at its peak.

A properly maintained unit—which includes coil cleaning, filter change-outs and routine indoor fan maintenance—will retain its efficiency longer and result in an extended life and lower total cost of ownership. Please contact your local Trane Service Representative for more information.

Learn more at trane.com



Trane – by Trane Technologies (NYSE: TT), a global climate innovator – creates comfortable, energy efficient indoor environments through a broad portfolio of heating, ventilating and air conditioning systems and controls, services, parts and supply. For more information, please visit trane.com or tranetechnologies.com.

All trademarks referenced in this document are the trademarks of their respective owners.

© 2020 Trane. All Rights Reserved.

SRV-SLB073-EN
08/04/2020